

FIGURE 1  
PRIOR ART

TOP VIEW

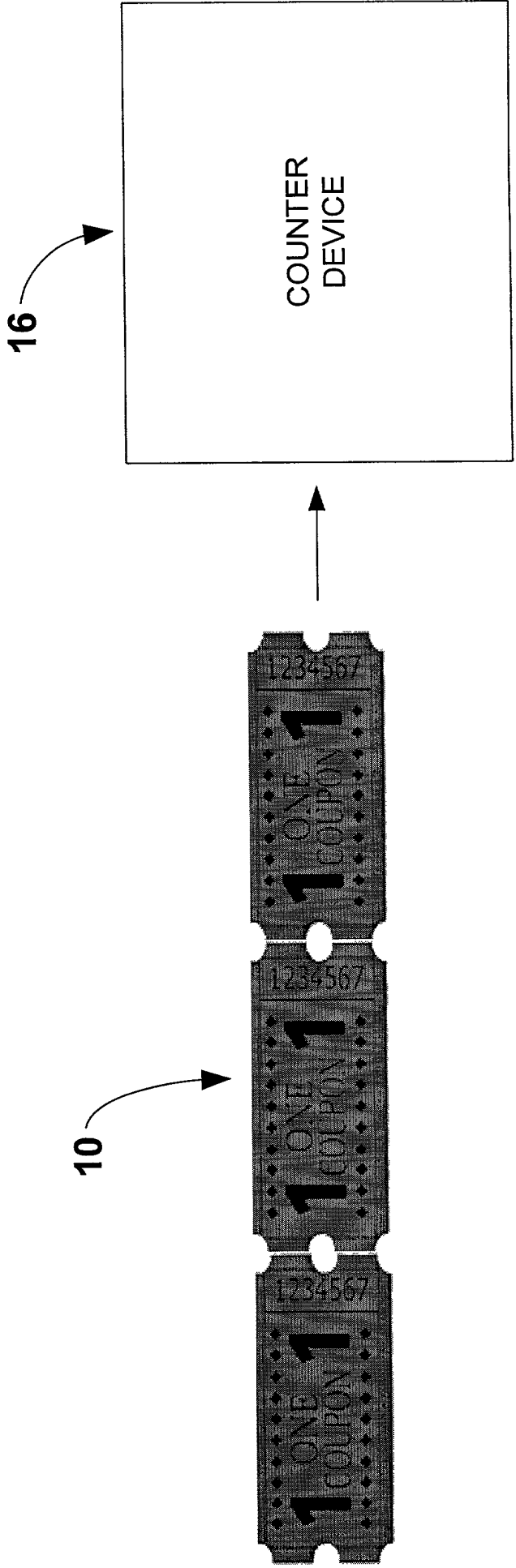
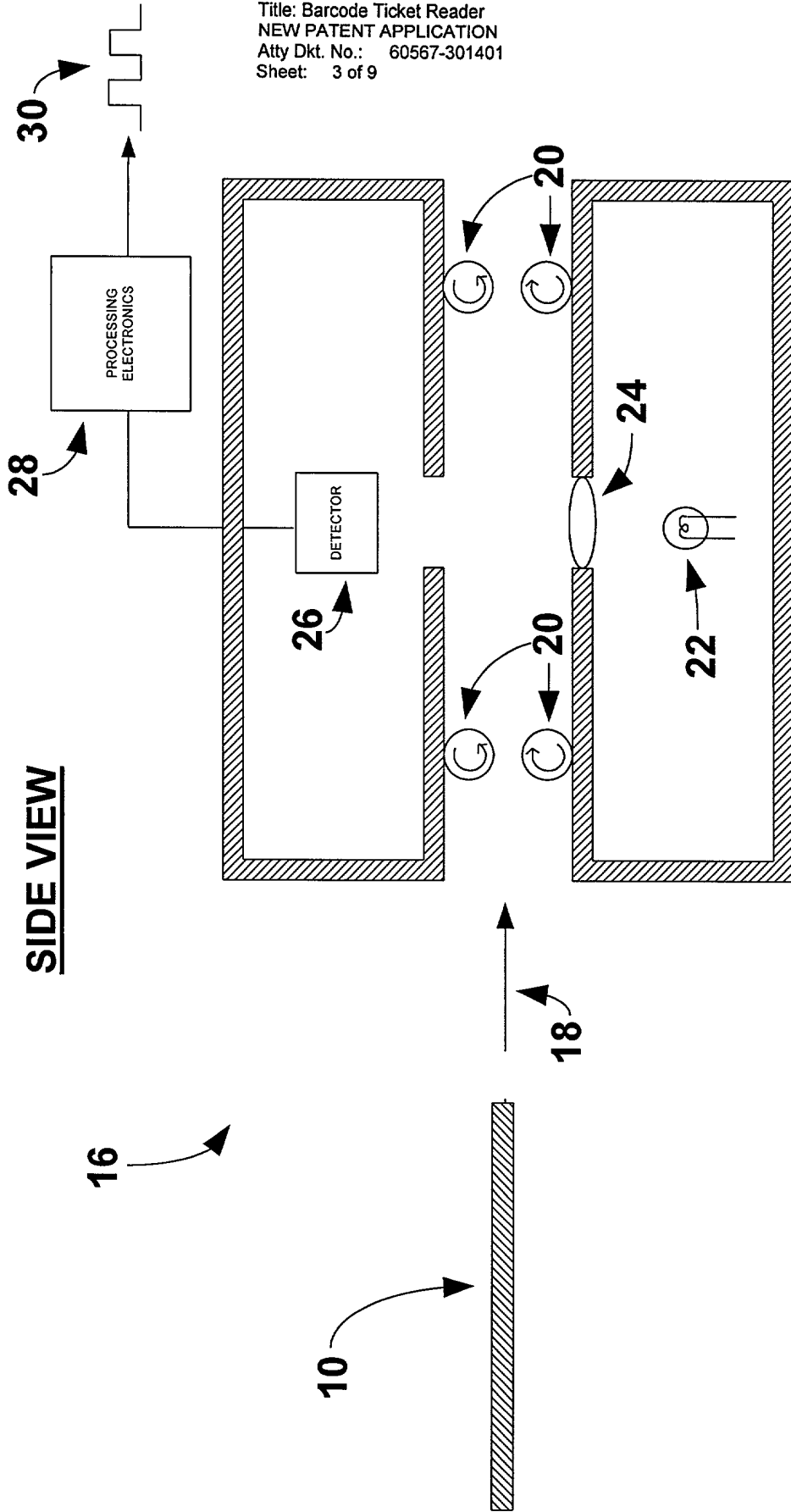


FIGURE 2

PRIOR ART

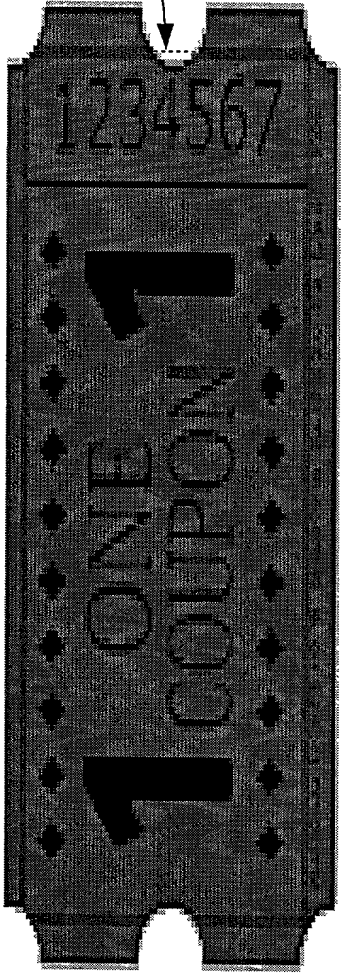
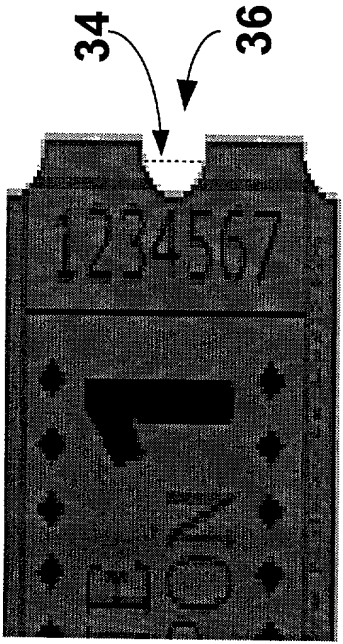


SIDE VIEW

FIGURE 3  
PRIOR ART

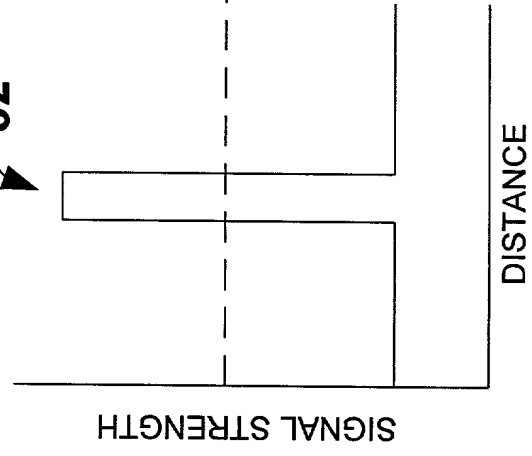
FIG. 4A

38



32

MINIMUM SIGNAL STRENGTH NEEDED FOR DETECTION



46

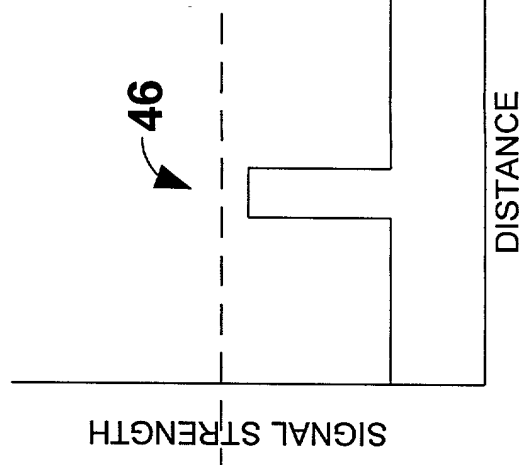


FIGURE 4

PRIOR ART

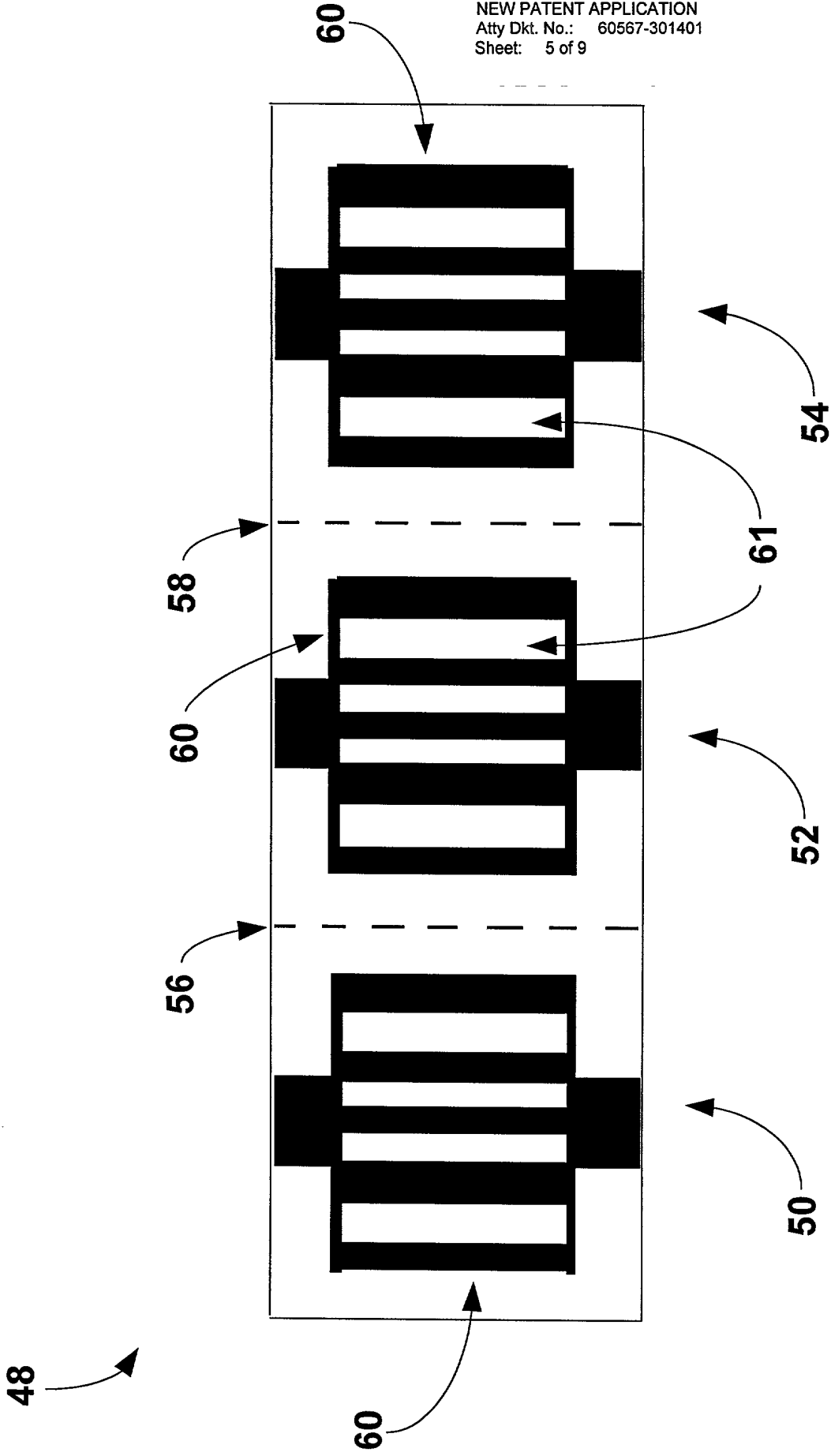


FIGURE 5

FIG. 6A

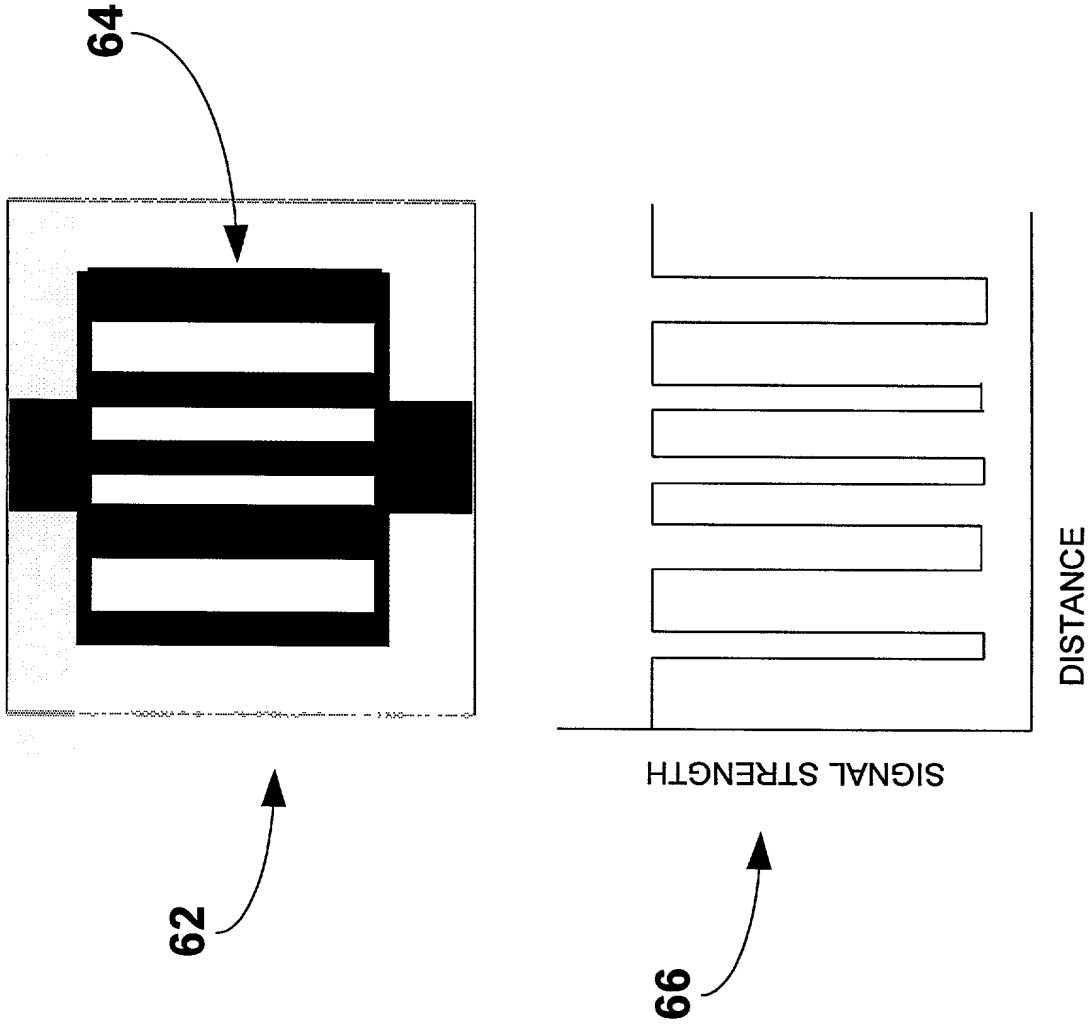
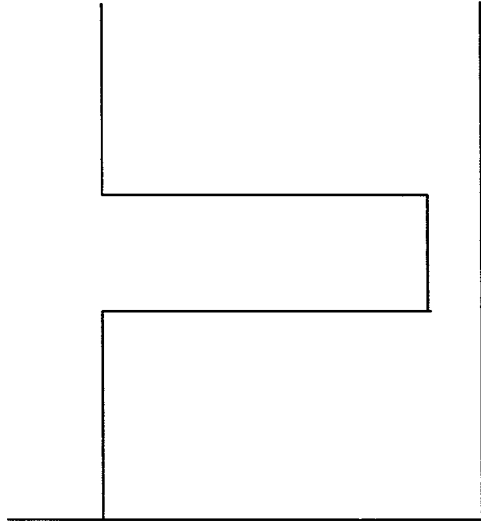
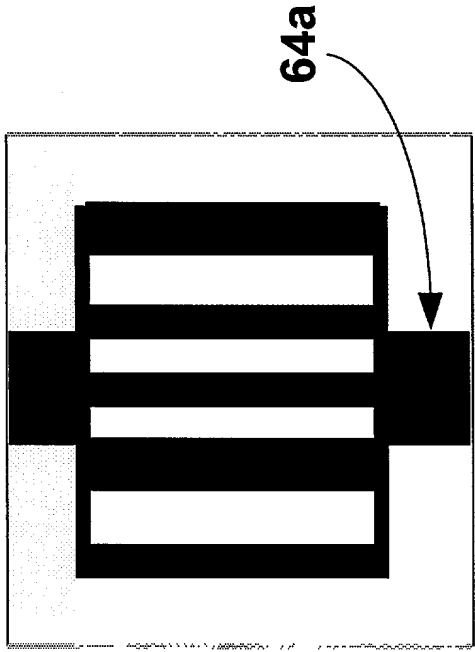


FIGURE 6A

FIG. 6A



DISTANCE

FIGURE 6B

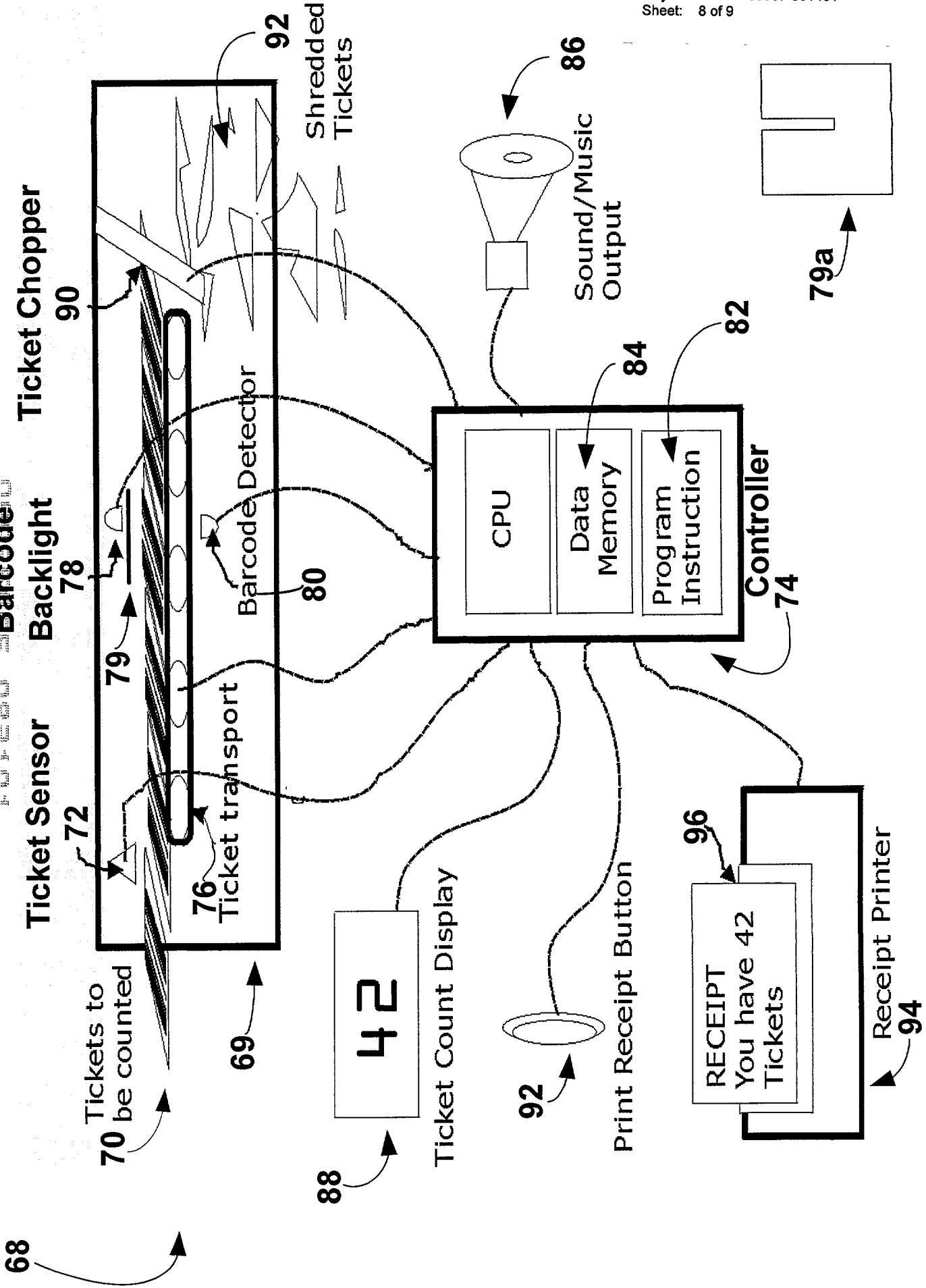


FIGURE 7



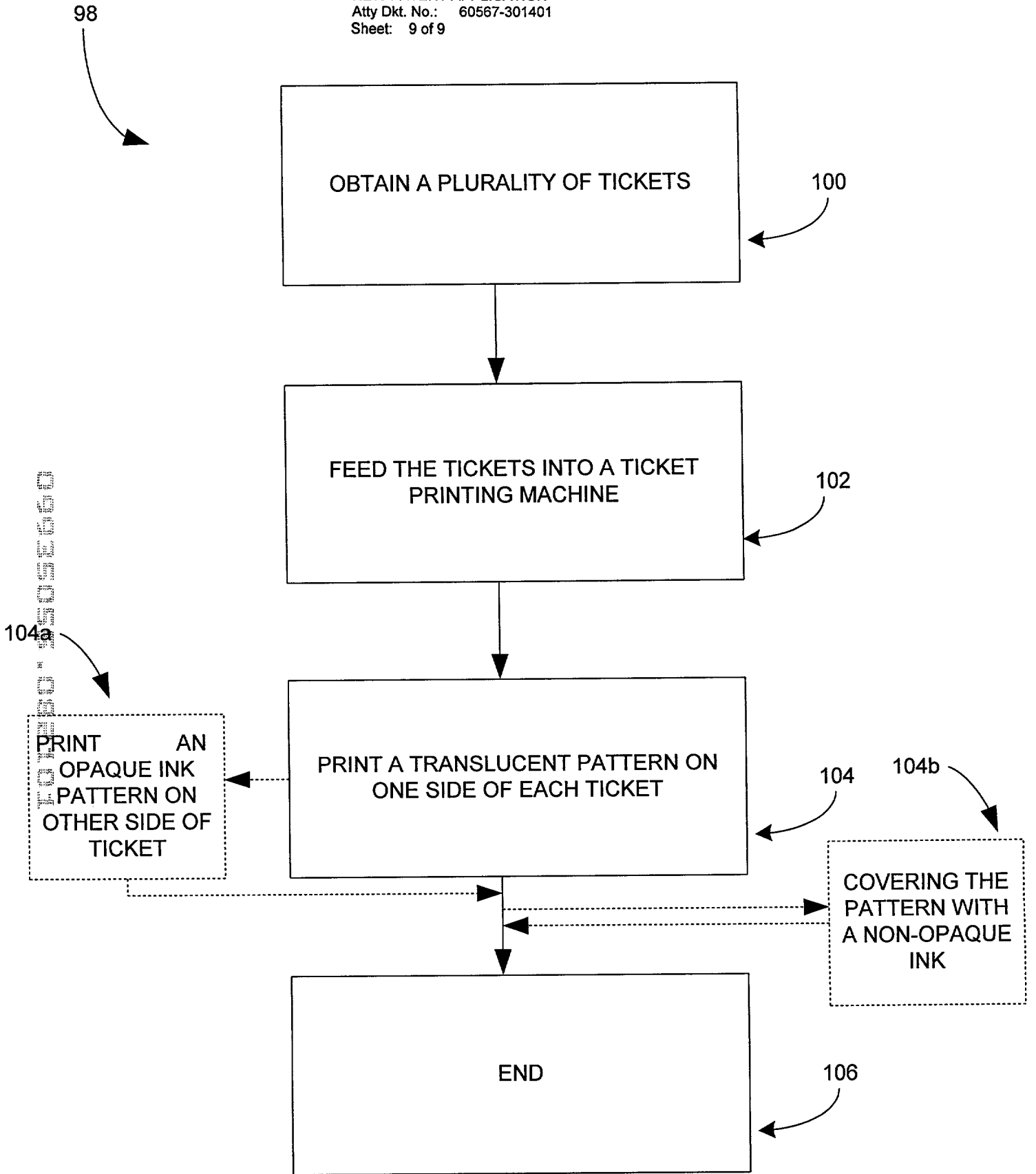


FIGURE 8